

TIMBERPRO



L9 Engine Provides:

- 338 Hp @ 1800 RPM
- 1125 lb-ft Torque
- Better fuel economy with faster cycle times
- Tier 4F / Stage 5 Compliant



L9™ **Cummins**

725D
735D
745D
755D

Loaded with Features



Better Access to Control Valve

Better Access to Swing Motor

Front Platform for Service

Isolated Electrical Compartment for ease of service and added protection.



Rubber Belting Protection Added to Boom and Gullwing to Reduce Debris in Engine and Hydraulic Compartments.

Hydraulic components easily accessible for service

Energy Recovering Hydrostatic Swing Pump



Cummins L9 Series Engine - 338HP with simple Single Module DOC/DPF/SCR unit

Easy Access to Major Components. (Starter, Alternator, Filters)

Gullwing Rear Door Provides Platform for Service.



Larger Windows for Increased Visibility

Fully Customizable IQAN 10" MD4 HD Touch Screen Control System.

Digital Climate Control System

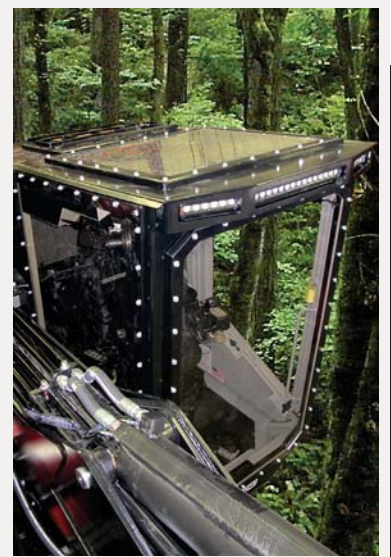
Multiple Seat Options for Operator Comfort

Cab Skylight and Emergency Escape

High Output LED Lighting

Increased Operator Space Inside Cab

Increased Visibility to the Boom Side, Carbody and Tracks.



New Modern Design

- New improved boom debris deflection system to better shed forest debris away from internal compartments.

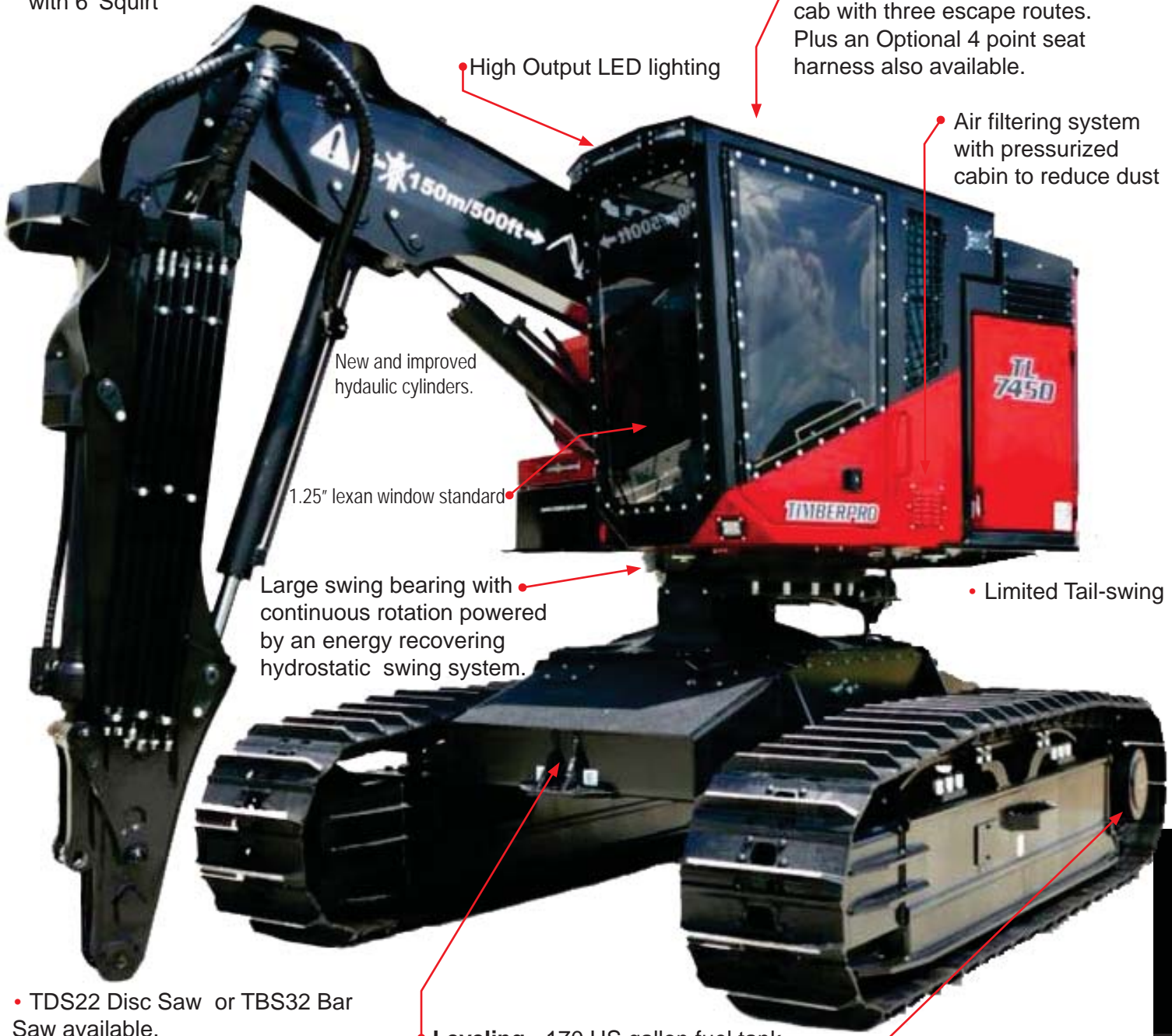


- Feller buncher booms for heavy fixed attachments or Optional Harvester Boom Set with 6' Squirt

- Rops, Ops, and Fops certified cab with three escape routes. Plus an Optional 4 point seat harness also available.

High Output LED lighting

- Air filtering system with pressurized cabin to reduce dust



New and improved hydraulic cylinders.

1.25" lexan window standard

Large swing bearing with continuous rotation powered by an energy recovering hydrostatic swing system.

- Limited Tail-swing

- TDS22 Disc Saw or TBS32 Bar Saw available.

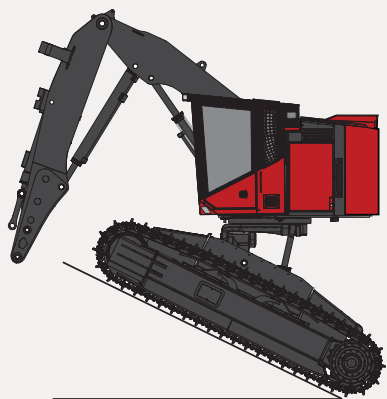
Leveling - 170 US gallon fuel tank
Non-Leveling - 100 US gallon fuel tank

- Lohmann final drives, Rexroth 2-speed motors

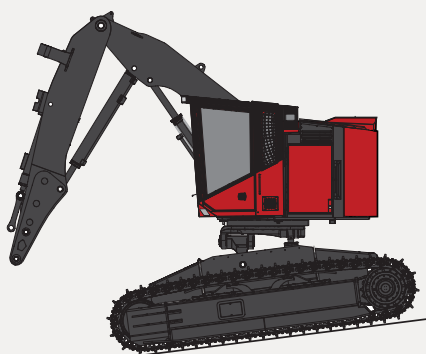
- **725D** - Caterpillar D6 size track frames with double flanged rollers

- **735D/745D/755D** - Caterpillar D7 size HD track frames with double flanged rollers

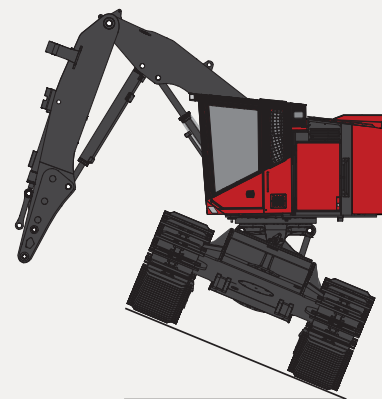
Strong & Agile



28° Front Leveling

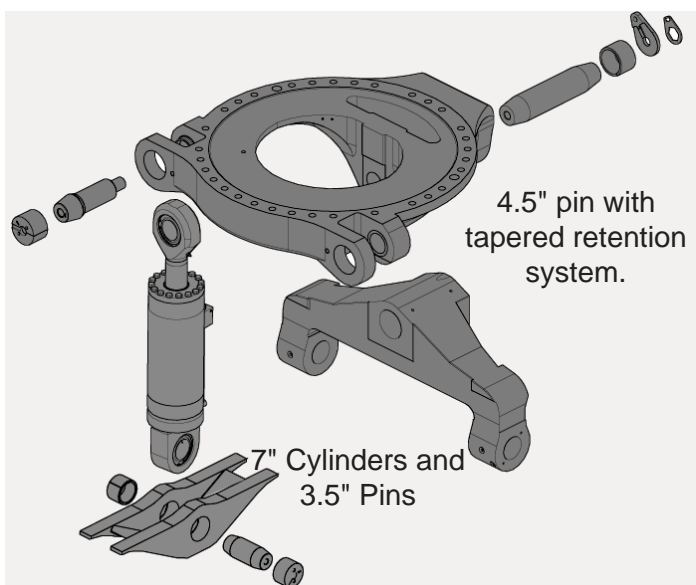


7° Rear Leveling



24° Tilt to both sides

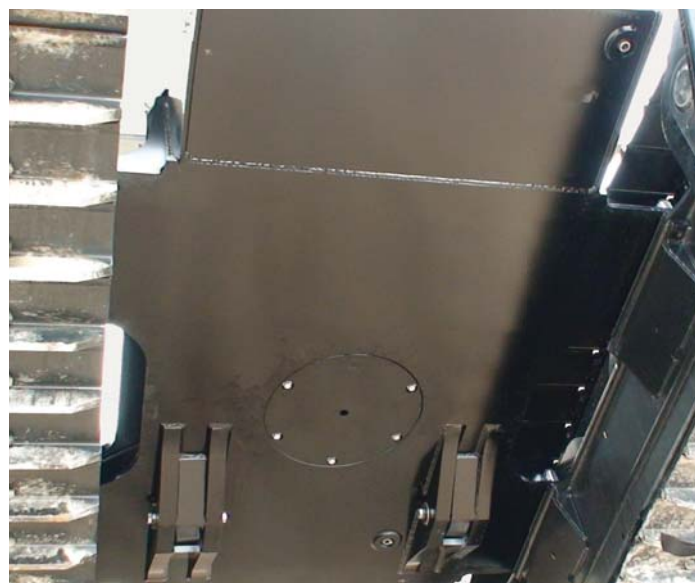
- Strongest & simplest 4-way leveling in the industry.



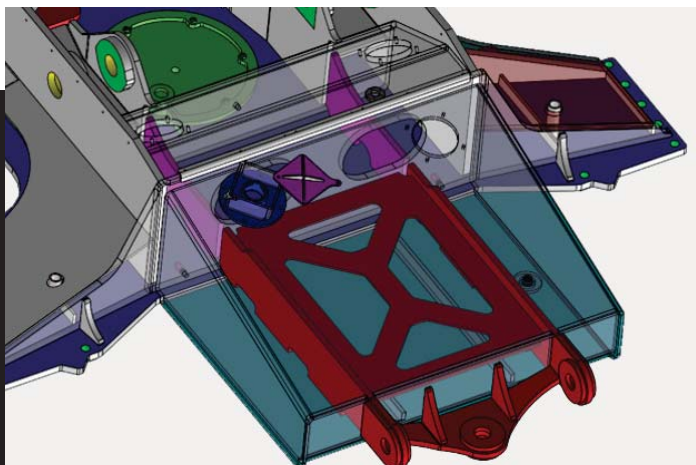
4.5" pin with tapered retention system.

7" Cylinders and 3.5" Pins

- Larger pin and Improved pin retention system. Providing longer life, better reliability and easier service.



- Smooth under-body, with recessed 1" spring-loaded panel allowing easy access for maintenance.



- (Optional) Winch Assist / Tethering Hitch available on the 11' 2" Carbody



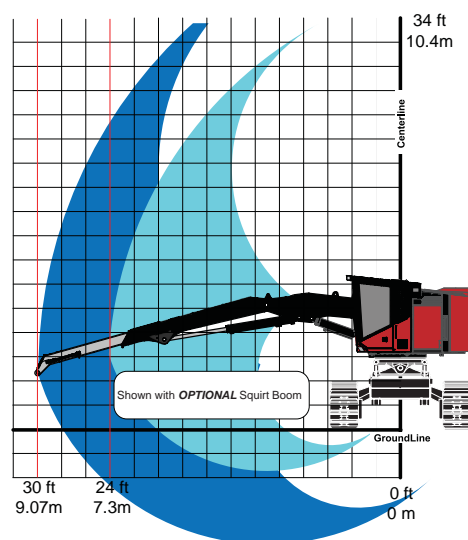
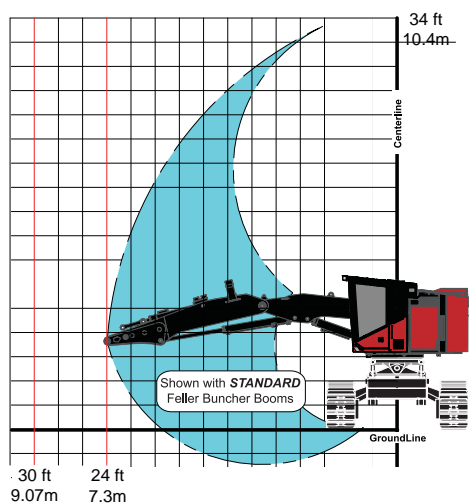
- Leveling lower frames feature hydraulic oil storage tank, a new improved Raptor high flow fuel pump and tool storage area.

Feature Options

Hydraulics	725	735	745	755
Parker control valves K220/L90	S	S	S	S
IQAN 10" MD4 HD control system	S	S	S	S
Implement Pump - 145cc	S	S	S	S
Implement Pump - 175cc (performance option)	O	O	O	O
Swing Pump - 90cc (Hydrostatic)	S	S	S	S
Drive Pumps - Dual 90cc (Hydrostatic)	S	S	S	S
Disc Saw Pump - 60cc (Variable Piston)	O	O	O	O
Hyd tank vacuum pump system	S	S	S	S
Electric - hydraulic oil reservoir fill pump	S	S	S	S
Charge relief heater - Hydraulic oil	S	S	S	S
Hydrostatic closed loop drive circuits	S	S	S	S
Continuous rotation swing	S	S	S	S
Dedicated hydrostatic swing pump	S	S	S	S
Auto-Leveling Feature	O	O	O	O
Operator's Cab	725	735	745	755
Fully certified for ROPS/FOPS/OPS	S	S	S	S
Three escape routes	S	S	S	S
1.25" lexan windows	S	S	S	S
Fresh air filtered & Pressurized cab	S	S	S	S
Digital Climate Control - Heat/AC	S	S	S	S
AM/FM/WB/MP3 - Handsfree Radio	S	S	S	S
Standard Seat - Air ride & Heated	S	S	S	S
Deluxe Seat - Air ride, Heat & Lumbar	O	O	O	O
4 Point Harness Seat Belt	O	O	O	O
High-powered LED lighting	S	S	S	S
Rear camera system	O	O	O	O
Safety Features	725	735	745	755
ANSUL LVS Fire Suppression (WET)	S	S	S	S
10 lb fire extinguisher	S	S	S	S
30 lb "water" fire extinguisher	O	O	O	O

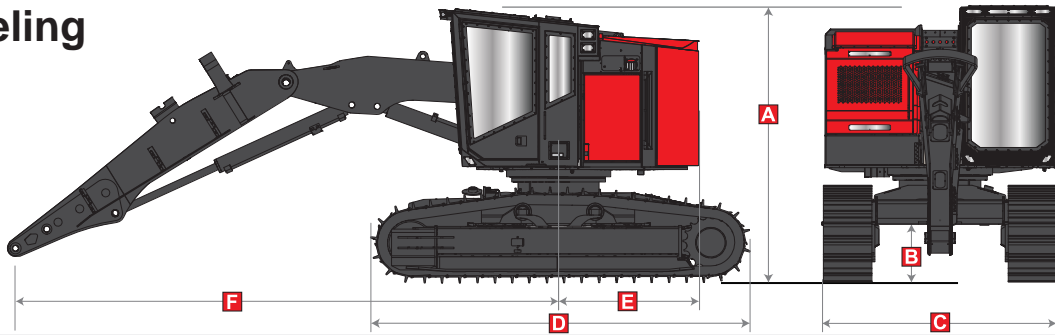
S = STANDARD ~ O = OPTIONAL ~ NA = NOT AVAILABLE

Engine	725	735	745	755
Cummins L9 – 338 HP	S	S	S	S
Cummins L9 – 350 HP (performance option)	O	O	O	O
24 volt electrical system w/ 100 amps	S	S	S	S
Auto reversing - Variable speed fan	S	S	S	S
Espar Pre-heater with timer	O	O	O	O
120v AC Pre-heaters	O	O	O	O
Carbody & Track Options	725	735	745	755
9'5" (2.86m) TN (Non-Leveling) - Narrow w/24" (600 mm) Shoes	S	O	NA	NA
9'8" (2.94m) TL (Leveling) - Narrow w/24" (600 mm) Shoes	O	O	NA	NA
10' 4" (3.15m) TL or TN - Wide w/24" (600 mm) Shoes	O	S	S	NA
11' (3.3m) TL or TN - Wide w/24" (600 mm) Shoes	O	O	O	NA
11' 2" (3.4m) TL (Leveling) - Wide w/24" (600 mm) Shoes	NA	NA	NA	S
24" Single or Double (600 mm)	S	S	S	S
28" Single or Double (700 mm)	O	O	O	O
34" Triple (850 mm) 10.4" or 11'2" only	O	O	O	O
Auto track brakes	S	S	S	S
Variable track speed control	S	S	S	S
L & S forestry final drives and motors	S	S	S	S
Top star rollers	O	O	O	NA
Track mounted counterweights	O	O	O	NA
Fuel tank mounted counterweight	O	O	O	O
Winch assist / tethering hitch	NA	NA	NA	O
Boom Configurations	725	735	745	755
Feller Buncher Main & Stick	S	S	S	S
6' Squirt HD (Feller Buncher Main)	O	O	O	O
Tree Deflector (Feller Buncher Stick)	O	O	O	O
Harvester Boom Set (Std w/6' Squirt)	O	O	O	O



Specifications

Non-Leveling



SPECIFICATIONS: TN725D - 55,810 lbs (25,315 kg)

SPECIFICATIONS: TN745D - 61,200 lbs (27,560 kg)

A	11'1" (3.37 m)
B	27" (68.5 cm)
C	9'5" (2.86 m)

D	15' 4" (4.67 m)
E	5' 9" (1.76 m)
F	23' 9" (7.23 m)

A	11'6" (3.51 m)
B	32" (82 cm)
C	10'4" (3.15 m)

D	16' 5" (5 m)
E	5' 9" (1.76 m)
F	23' 9" (7.23 m)

SPECIFICATIONS: TN735D - 58,810 lbs (26,676 kg)

SPECIFICATIONS: TN755D - 65,200 lbs (29,574kg)

A	11'6" (3.51 m)
B	32" (82 cm)
C	10'4" (3.15 m)

D	15' 4" (4.67 m)
E	5' 9" (1.76 m)
F	23' 9" (7.23 m)

A	11'9" (3.58m)
B	32" (82 cm)
C	11'2" (3.40 cm)

D	16' 5" (5 m)
E	5' 9" (1.76 m)
F	23' 9" (7.23 m)

(Machine weights are approximate "woods ready" without attachment)

Lift Capacities:

Feller Buncher Booms:

(7.2 m) 23.9'	9,220 lbs (4,182 kg)
(6.1 m) 20'	12,800 lbs (5,806 kg)
(4.6 m) 15'	17,340 lbs (7,865 kg)
(3.0 m) 10'	25,580 lbs (11,603 kg)

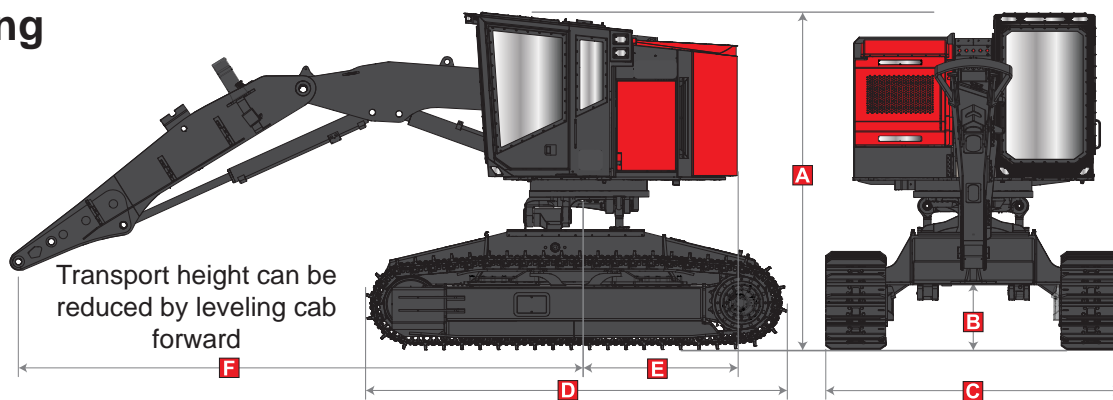
Harvester with Squirt Boom:

(9.1 m) 30'	6,300 lbs (2,858kg)
(7.9 m) 25'	8,000 lbs (3,629kg)
(6.1 m) 20'	14,160 lbs (6,423kg)
(4.6 m) 15'	18,000 lbs (8,165kg)
(3.0 m) 10'	24,300 lbs (11,022kg)

Tractive Effort

725D - 68,629 lbs (305 kN)
735D - 80,066 lbs (356 kN)
745D - 80,066 lbs (356 kN)
755D - 108,745 lbs (484 kN)

Leveling



SPECIFICATIONS: TL725D - 61,934 lbs (28,093 kg)

SPECIFICATIONS: TL745D - 69,280 lbs (31,425 kg)

A	12' 5" (3.78 m)
B	28.5" (72.4 cm)
C	10' 4" (3.15 m)

D	15' 4" (4.67 m)
E	5' 9" (1.76 m)
F	23' 9" (7.23 m)

A	12' 10" (3.91 m)
B	30.3" (77 cm)
C	11' (3.35 m)

D	16' 5" (5 m)
E	5' 9" (1.76 m)
F	23' 9" (7.23 m)

SPECIFICATIONS: TL735D - 65,100 lbs (29,529 kg)

SPECIFICATIONS: TL755D - 75,940 lbs (34,446 kg)

A	12' 10" (3.91 m)
B	30.3" (77 cm)
C	10' 4" (3.15 m)

D	15' 4" (4.67 m)
E	5' 9" (1.76 m)
F	23' 9" (7.23 m)

A	13' (3.96 m)
B	31" (79 cm)
C	11' 2" (3.4 m)

D	16' 5" (5 m)
E	5' 9" (1.76 m)
F	23' 9" (7.23 m)

(Machine weights are approximate "woods ready" without attachment)

TimberPro Inc reserves the right to change specifications without notice or obligation. Product Illustrations may be equipped with non-standard equipment.

TimberPro Inc.
 1407 Industrial Dr.
 Shawano WI 54166 USA
 www.timberpro.com